



COMPACT "T" STYLE VACUUM FILTERS

"VS" Series 3"-6" BSPT, DN80-DN150 PN10 Pattern Flange

APPLICATIONS & EQUIPMENT

- Vacuum Pumps & Systems – Roots, Side Channel, Rotary Vane, Screw, Piston
- Vacuum Packaging Equipment
- Vacuum Furnaces
- Blowers - Side Channel & Roots
- Remote Install for Piston, Screw & Centrifugal Compressors
- Factory Automation Equip
- Ash Handling
- Pneumatic Conveying Systems
- Food Industry
- Paper Processing
- Glass, Ceramic Processing
- Waste Water Treatment
- Woodworking
- Cement
- Bag House Systems
- Envelope Manufacturing
- Medical Industry
- Chemical Processing

FEATURES & SPECIFICATIONS

- **Vacuum level:** Typically 1×10^{-3} mmHg (1.3×10^{-3} mbar)
- **Compact** design for space restrictions
- Quick release "V" band clamp for ease in maintenance
- Rugged carbon steel construction
- Positive engagement O-ring seal system
- **Large** dirt holding capacity and **Easy** field cleaning
- Low pressure drop
- Inlet/outlet 1/4" gauge taps
- Polyester: 99%+ removal efficiency standard to 5 micron
- Paper: 99%+ removal efficiency standard to 2 micron
- Temp (continuous): min -26°C (-15°F) max 104°C (220°F)
- Filter change out differential: 255 – 380 mm H₂O over initial delta P
- Pressure drop graphs available upon request

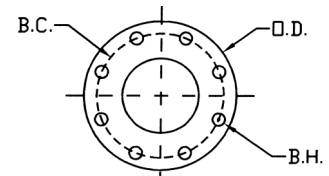
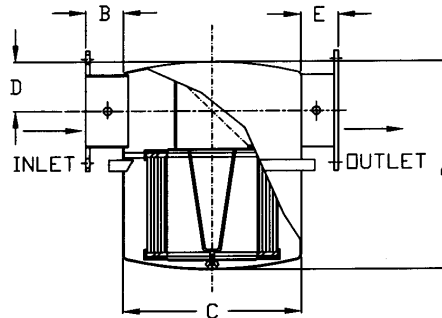
OPTIONS (Inquiries Encouraged)

- "Straight Through" design (VS Series)
- Extended Shell for **High Holding Cap.**
- Various media
- Available in **Stainless Steel**
- Epoxy coated housings
- Support brackets
- Custom connections
- Activated carbon prefilters to reduce order

CONFIGURATION



DRAWING



Flange Orientation

Note: All side inlet to outlet flanges are orientated "split center".

Dimension tolerance ± 6 mm

Approx. 385 mm Service Area Needed

INLET VACUUM FILTERS
CSL, CT, VL, VS, LRS Series

I = Industrial Duty S = Severe Duty E = Extreme Duty

	with Polyester Element	with Paper Element	Inlet & Outlet	Connection Style	DIMENSIONS - mm					Rated Flow m ³ /h		Approx. Wt. Kg
					A	B	C	D	E	Nominal Rating	Element Rating	
E	VS-275P-301	VS-274P-301	3"	BSPT	508	89	406	114	64	510	1870	29
E	VS-275P-401	VS-274P-401	4"	BSPT	508	89	406	114	89	885	1870	30
S	VS-275P-501	VS-274P-501	5"	BSPT	508	89	406	114	89	1360	1870	30
I	VS-275P-601	VS-274P-601	6"	BSPT	508	89	406	114	89	1870	1870	31
E	VS-275P-DN80	VL-274P-DN80	DN80	Flange	508	89	406	114	89	510	1870	29
E	VS-275P-DN100	VL-274P-DN100	DN100	Flange	508	89	406	114	89	885	1870	29
S	VS-275P-DN125	VS-274P-DN125	DN125	Flange	508	89	406	114	89	1360	1870	30
I	VS-275P-DN150	VS-274P-DN150	DN150	Flange	508	89	406	114	89	1870	1870	30

PN 10 Pattern Flange	Dimensions - mm			No. of Holes	Thickness Flg mm
	O.D.	B.C.	B.H.		
DN 80	200	160	18	8	20
DN100	220	180	18	8	20
DN125	250	210	18	8	22
DN150	285	240	22	8	22

Note: Model offerings and design parameters may change without notice.