

Series Specific Applications

- Vents for Oil Reservoirs, Crankcases, Bearings, Coupling Guards
- Compressor, Turbine, Gearbox, Engine Applications

Features

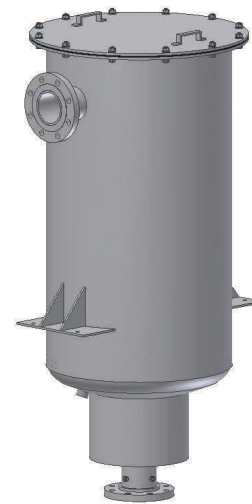
- Eliminates visible vented oil mist emissions
- High efficiency fiberglass filter elements: 99.97% removal efficiency for 0.3 μm oil mist
- Carbon steel construction with durable powder coat finish
- Low back pressure filter element design: Pleated and wrapped fiberglass options
- Extensive flow range
- Continuous operating temp: 20°C (68°F) - 80°C (180°F)
- Contact factory for specific flows and sizes.

Options

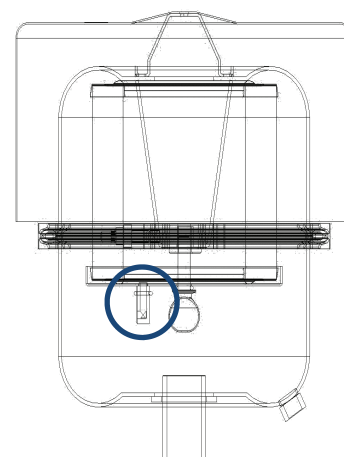
- Stainless steel construction
- Special coatings and finishes
- Internal drain-back mechanism
- Alternative filtration media (wire mesh demister, vane separator)
- Multiple configurations
- Vacuum assisted oil mist eliminators



CVH Series



CV Series

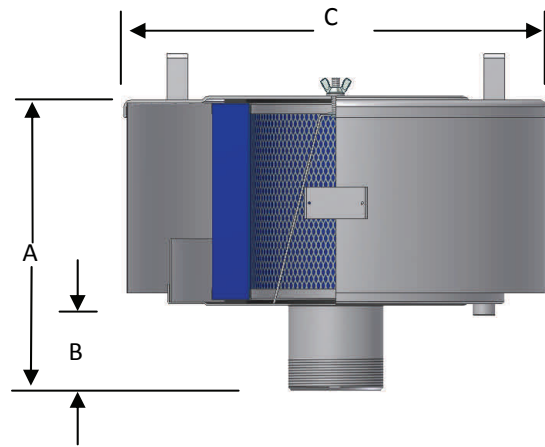
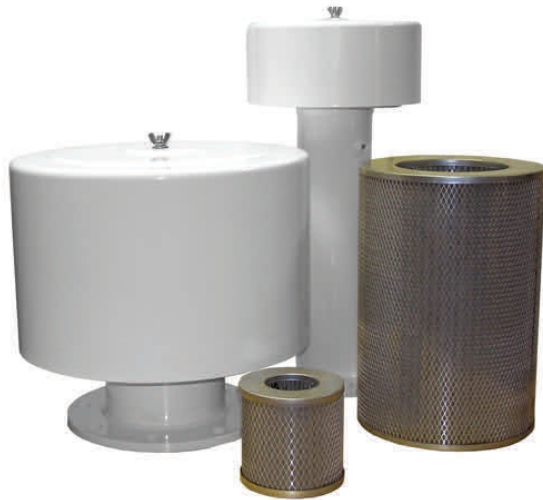


**Static Vent Oil Mist Eliminators w/Internal
Drain-Back Mechanism**



Gearbox Application

Static Vent Oil Mist Eliminators CVB Series



Features

- Eliminates visible vented oil mist emissions
- Carbon steel construction with powder coat finish
- Low back pressure filter element design: Pleated and wrapped media options
- External drain-back mechanism
- Extensive flow range available upon request

Technical Specifications

- 0.3 micron media; 99.97% efficiency; Typically 5 PPM or less*
- Continuous operating temp: 20°C (68°F) - 80°C (180°F)

* 150 PPM challenge or less

Series Specific Applications

- Air/Oil Separation Vents for oil reservoirs, crankcases, bearings, coupling guards
- Compressors, turbines, gearboxes, engines and more

Options

- Stainless steel construction and resistance coatings
- Alternative filtration media (Wire mesh demister, vane separator)
- Vacuum assisted style available: **BAE Series**

Outlet Size		Type	Assembly Part Number	Dimensions - mm			Approx. Wt. kg	Replacement Element Part No.
				A	B	C		
1"	MPT		CVB-WP848-100	189	51	156	1.4	WP848
1 1/4"	BSPT		CVB-WP848-126	189	51	156	1.4	WP848
1 1/2"	BSPT		CVB-WP848-151	189	51	156	1.4	WP848
2"	BSPT		CVB-WP850-201	302	64	260	2.5	WP850
2 1/2"	BSPT		CVB-WP850-251	302	64	260	2.5	WP850
3"	BSPT		CVB-WP274-301	375	76	508	6.8	WP274
4"	BSPT		CVB-WP274-401	400	102	508	6.8	WP274
DN100	FLG		CVB-WP274-DN100	400	102	508	9	WP274
DN125	FLG		CVB-WP374-DN125	508	102	508	17	WP374
DN150	FLG		CVB-WP374-DN150	533	127	508	18	WP374

Note: Model offerings and design parameters may change without notice. See www.solbergmfg.com for most current offering.