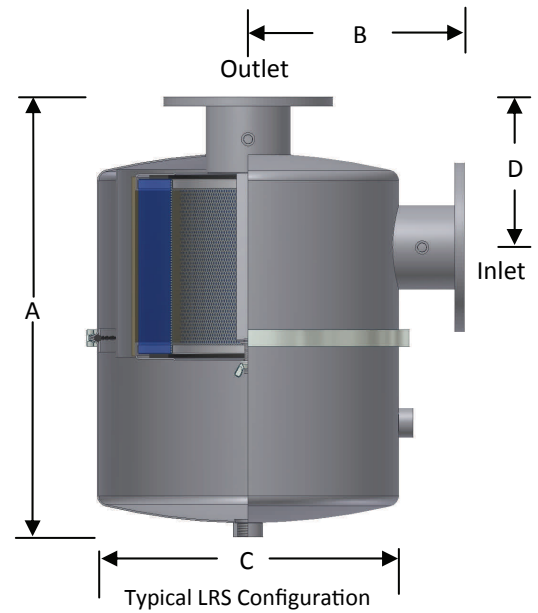


# Liquid Separator/Vacuum Filter LRS/SRS Series 3/4" - DN250



## Operating Principle

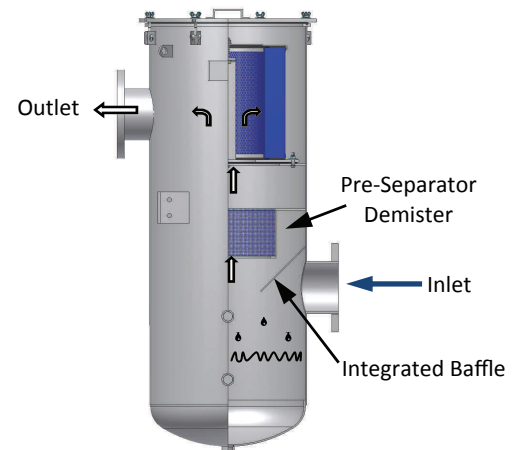
- The inlet air with potentially harmful liquids and particulate enters the highly efficient vacuum filter and is separated by a baffling system.
  - The larger particles and liquid drop down to the large capacity lower chamber.
  - The lower chamber has significant liquid/slurry holding capacity & has an optional removable base for easy cleaning.
  - The final stage has a replaceable filter element for fine filtration that is 99+% efficient before it reaches the vacuum pump.
- Note: A typical SRS Series design has a pre-separator demister or strainer element before the filter element for additional liquid/particulate removal.

## LRS Series Specifications

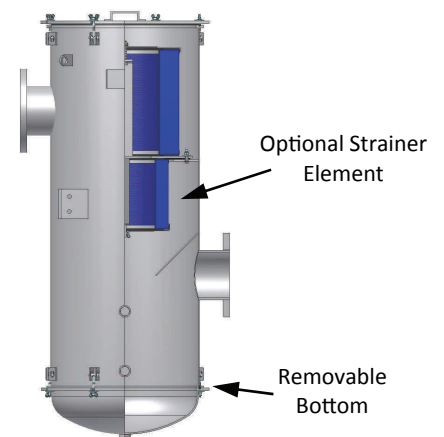
- "L" style configuration: side inlet, top outlet
- Multiple stage filtration:
  - Baffle System
  - 99+% efficient filter element
- For aerosol apps, additional knock out pot or separator is unnecessary
- Compact construction design

## SRS Series Specifications

- Offset connections: lower side inlet, upper side outlet
- Multiple stage filtration
  - Integrated baffle system
  - Pre-Separator demister or stainless steel wire mesh strainer
  - Primary 99+% efficient filter element
- Additional knock out pot or separator unnecessary
- Significant liquid/slurry holding capacity
- Removable base option for easy access cleaning
- Brackets for support legs & nameplate
- Lifting lugs



SRS with demister option



SRS with strainer element option

### Benefits

- Simplified vacuum package: 2 functions in one (liquid separator & inlet air filter)
- High efficiency separation & multistage filtration
- Protects pump from harmful liquids that destroy lubricating/sealing oil
- Lower costs from unnecessary piping
- Large liquid/slurry holding capacity
- Prevents emulsification of oil in oil lubricated systems
- Reduced footprint

### Features

- Durable carbon steel construction with blue epoxy coating
- Baffle system
- Significant liquid/sludge holding capacity
- 1/4" inlet/outlet taps on 3" and larger
- 1" sight port for visual inspection
- 1" drain port
- Wide range of operation flows

### Technical Specifications

- Vacuum Rating: Gas tight O-ring seal
- Filter change out differential: 37-50 mbar over initial Δ P
- 99% liquid removal efficiency
- Polyester: 99%+ removal efficiency standard to 5 micron

### Options (Inquires Encouraged)

- ATEX certified housings
- PED & ASME rated vessels
- Multiple configurations
- Extended bucket for additional holding capacity
- Wire mesh strainer element
- Removable bottom for full access cleaning
- Stainless steel construction
- Safety switch port for high liquid warning
- Vacuum gauge
- Support legs and lifting lugs
- Electronics package (customer specified)

#### LRS Series

Assembly m <sup>3</sup> /h Rating	Inlet / Outlet Size	Inlet / Outlet Type	Assembly Part Number	Dimensions - mm				Approx. Holding Capacity L	Replacement Element Part No.	Element m <sup>3</sup> /h Rating
				A	B	C	D			
105	3/4"	FPT	<a href="#">LRS-19-075HC</a>	454	118	195	89	5.7	19	170
145	1"	BSPP	<a href="#">LRS-19-101HC</a>	454	118	195	89	5.7	19	170
145	1 1/4"	BSPP	<a href="#">LRS-19-126HC</a>	454	118	195	89	5.7	19	170
170	1 1/2"	BSPP	<a href="#">LRS-19-151HC</a>	454	118	195	89	5.7	19	170
230	2"	BSPP	<a href="#">LRS-237-201HC</a>	565	171	305	163	9.5	237	935
335	2 1/2"	BSPP	<a href="#">LRS-237-251HC</a>	578	184	305	163	9.5	237	935
510	3"	BSPP	<a href="#">LRS-237-301HC</a>	578	184	305	163	9.5	237	935
885	DN100	FLG	<a href="#">LRS-275-DN100</a>	594	292	406	203	17	275	1870
1415	DN150	FLG	<a href="#">LRS-275-DN150</a>	594	292	406	203	17	275	1870

See Vacuum Filter Technical Data section for sizing guidelines.

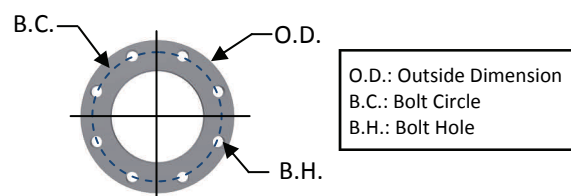
Dimension tolerance ± 6 mm

#### SRS Series (Contact factory for dimensions, more sizes available)

Assembly m <sup>3</sup> /h Rating	Flange Inlet & Outlet	Reference Only Assembly Part Number	Approx Holding Capacity L	Replacement Element Part No.
2170	DN150	<a href="#">SRS-377/274S-DN150</a>	76	377/274S
3060	DN200	<a href="#">SRS-385/376S-DN200</a>	170	385/376S
3060	DN250	<a href="#">SRS-385/376S-DN250</a>	170	385/376S

#### PN10 Pattern Flange Outlet Connections

PN10 Pattern Flange	Dimensions - mm			No. of Holes	Thickness Flg mm
	O.D.	B.C.	B.H.		
DN100	220	180	18	8	20
DN150	285	240	22	8	22
DN200	340	295	22	8	24
DN250	395	350	22	12	26



All flanges are orientated "split center".

Note: Model offerings and design parameters may change without notice. See [www.solbergmfg.com](http://www.solbergmfg.com) for most current offering.