



**SOLBERG**

# EXTREME DUTY INLET VACUUM FILTERS

"CBL Series" 1" - 1-1/2" BSPP & 2" Tube

## APPLICATIONS & EQUIPMENT

- ♦ Vacuum Pumps & Systems
- ♦ Vacuum Packaging Equipment
- ♦ Vacuum Lifters
- ♦ Woodworking Industry
- ♦ Engraving Industry
- ♦ Intake Suction Filters
- ♦ Blowers - Side channel & Roots
- ♦ Pneumatic Conveying Systems
- ♦ Soil Venting/Remediation
- ♦ Remote Installations for Piston and Screw Compressors
- ♦ Printing Industry
- ♦ Factory Automation Equipment
- ♦ Leak Detection Systems
- ♦ Medical Industry
- ♦ Routing Industry
- ♦ Pharmaceutical Industry
- ♦ Petrochemical Industry

## FEATURES & SPECIFICATIONS

- ♦ 99%+ removal efficiency standard to 5 micron
- ♦ Extended dome shell for **HIGH Dirt Holding Capacity** and Easy Field Cleaning
- ♦ Rugged all steel construction with Baked enamel finish
- ♦ Brazed fittings for high vacuum duty
- ♦ Stainless steel torsion clips for durability
- ♦ Low pressure drop
- ♦ Positive sealing O-ring seal system
- ♦ Fully-drawn one piece carbon steel canister
- ♦ Temp (continuous): min -15°F (-26°C) max 220°F (104°C)
- ♦ Vacuum level: Typically 1.3x10<sup>-3</sup> mbar (1x10<sup>-3</sup> mmHg)
- ♦ Filter change out differential: 255-380mm (10"-15") H<sub>2</sub>O Over Initial Delta P
- ♦ Pressure drop graphs available upon request

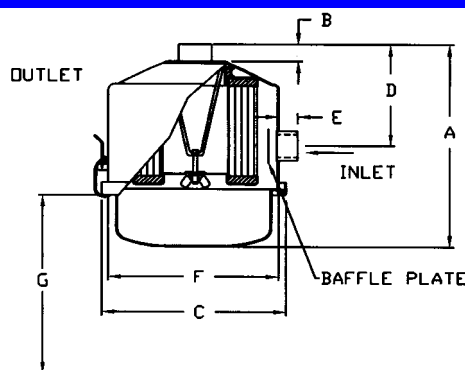
## OPTIONS (Inquires Encouraged)

- ♦ Vacuum regulator & gauge available
- ♦ Various media available
- ♦ Support brackets
- ♦ Epoxy coated housings
- ♦ Special connections
- ♦ Available in **Stainless Steel**
- ♦ Activated carbon prefilter to reduce odor
- ♦ Alternate Top-to-canister fastening system for low pressure or pulsating systems

## CONFIGURATION



## DRAWING



Dimension tolerance ± 6 mm

with Polyester Element	with Paper Element	Inlet & Outlet	DIMENSIONS - mm							Rated Flow m <sup>3</sup> /h		Approx. Wt. Kbs
			A	B	C	D	E	F	G	Nominal Rating	Element Rating	
CBL-879-100HC	CBL-878-100HC	1"	222	19	186	114	19	173	127	68	196	2
CBL-879-126HC	CBL-878-126HC	1 1/4"	222	19	186	114	19	173	127	102	196	2
CBL-879-151HC	CBL-878-151HC	1 1/2"	222	19	186	114	19	173	127	136	196	2
CBL-879-200T*	CBL-878-200T*	2" OD	222	19	186	114	19	173	127	136	196	2

\* T= Tube Connections

\* Non-brazed unit-For Low Vacuum only (Side Channel Blowers)

Solberg – Discover the Possibilities

ECBL-407

1151 Ardmore Ave. • Itasca, IL 60143 USA

Tel: +1.630.773.1363 • Fax: +1630.773.2643

E-mail: sales@solbergmfg.com • Web Site: www.solbergmfg.com