



# Superior Odor Reduction and Chemical Adsorption GM Series Filter Elements



- Multi-Use Media - Eliminate the need for multiple filters with all in one media, particulate capture and odor removal
- Electrostatic Fibers - Actively attracts and holds airborne particles
- Superior Odor Adsorption - 50,000 times more efficient than standard activated carbon

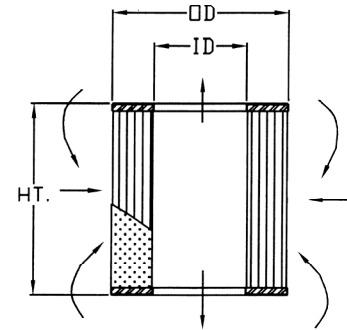
## ADVANTAGES

- Highly adsorbent fiber surfaces provide excellent molecular filtration
- Electrostatic, voltage difference actively attracts and holds airborne particles
- Open structured, low pressure drop
- Allows for differential readings for element change out
- High dirt holding capacity
- High filtration efficiency
- Thermally bonded, no chemical binders
- Excellent bi-directional strength
- Continuous fibers prevent shedding



## SPECIFICATIONS

- 70% + removal efficiency at 3 microns (MERV 7 rated)
- Chemically inert, 100% polyolefin fibers
- Dust loading capacity is increased 40 - 50% with polyurethane prefilter
- Temp (continuous): min -15°F (-26°C) max 220°F (104°C)
- Optimal sealing surface & design



Dimension tolerance  $\pm 1/4"$

### Legend

- G= Galvanized metal endcaps
- MS= Molded Black Silicone
- N= Neoprene gaskets on open end(s)

Model Number	STD Endcap Features	DIMENSIONS - inches			Surface Area ft <sup>2</sup>	Rated Flow SCFM
		ID	OD	HT		
GM15	MS	3	4 3/8	2 5/16	0.50	35
GM19	MS	3	4 3/8	4 3/4	1.5	100
GM31	MS	3 5/8	5 3/4	4 3/4	2.3	195
GM231	MS	3 5/8	5 3/4	9 1/2	4.5	300
GM235	MS	4 3/4	7 7/8	9 5/8	8.3	570
GM245	GN	6	9 3/4	9 5/8	14	880
GM345	GN	6	9 3/4	14 1/2	22.1	1100
GM275	GN	8	11 3/4	9 5/8	19	1100
GM375	GN	8	11 3/4	14 1/2	28	1500
GM377	GN	9	14 5/8	14 1/2	50	1825
GM385	GN	14	19 5/8	14 1/2	50	3300
GM485	GN	14	19 5/8	21 1/2	75	4705
GM685	GN	14	19 5/8	28 1/2	100	6600

Note: Model offerings and design parameters may change without notice.

Solberg Manufacturing Inc  
1151 Ardmore Ave. • Itasca, IL 60143 USA  
Sales/Service: 630.773.1363 • Fax: 630.773.0727  
E-mail: sales@solbergmfg.com • Web Site: www.solbergmfg.com

EGM-5345

*We believe in partnering with you to discover innovative solutions and new possibilities.*

ISO 9001:2000 Certified