

DATA SHEET

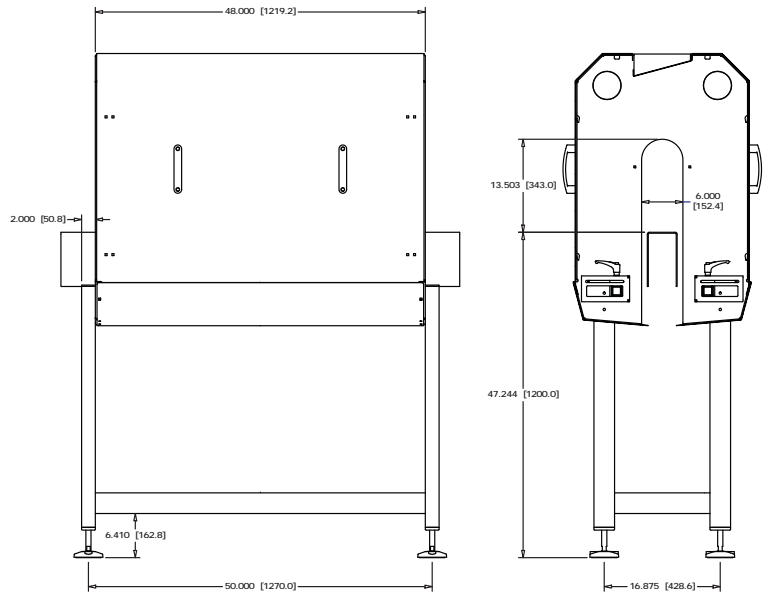
DL SprayGuard™ by JETAIR™

The DL SprayGuard is an ideal Drying Solution for low to moderate speed packaging lines. The DL provides leading drying performance while adding sound attenuation and capturing overspray from removed water.

- Spray Protection
- Air Noise Reduction
- Lift-Off Side Panels
- Self-Support Air Components
- JetSet Air Component Adjustment Knobs for simple and fast change-overs
- Rugged Stainless Steel Construction
- 36", 48", 60" Lengths
36" Drawing shown below.



DL™ Drying Solution shown



JETAIR™
 TECHNOLOGIES, LLC
 1756 Eastman Ave., #100, Ventura CA 93003
 805-654-7000 main, 805-654-7064 facsimile
 www.jetairtech.com or sales@jetairtech.com