



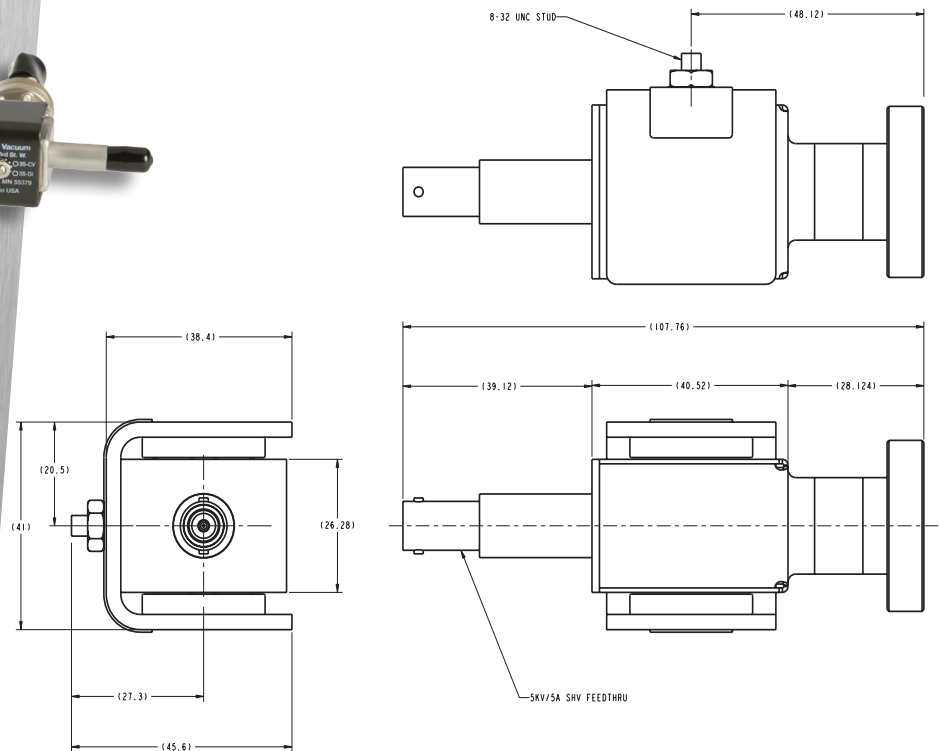
TiTan™ 3S Ion Pump



TECHNICAL SPECIFICATIONS

Element Type	CV	DI
Pumping Speed (l/s, Nitrogen)	3	2
Starting Pressure (mbar)	$\leq 1 \times 10^{-4}$	$\leq 1 \times 10^{-4}$
Lifetime (hours @ 10^{-6} mbar)	50,000	
Ultimate Pressure (mbar)	$< 1 \times 10^{-11}$	
Maximum Baking Temperature ($^{\circ}\text{C}$)	95 / 450 (without magnets)	
Inlet Flange	DN 16 (1.33 in.) CFR	
Weight, kg (lbs)	0.35 (0.8)	

DIMENSIONAL DETAILS*



*Single inlet flange shown. Alternative configurations available at www.gammavacuum.com

STANDARD OPTIONS*

Element Styles		Ports		Feedthroughs		Heaters		TSP/NEG	
CV	Conventional 100% Titanium	1H	Single DN 16 (1.33 in. CFR) Horizontally oriented	5K	5kV SHV Standard	N	No Heaters	N	Not Available
DI	Differential 50% Titanium 50% Tantalum	1V	Single DN 16 (1.33 in. CFR) Vertically oriented	OV	Old Varian				
		1D	Double DN 16 (1.33 in. CFR) Horizontally oriented						
		CU	Copper 3/8 in. tube						

*Configured part numbers and pricing are available at www.gammavacuum.com. Contact us directly for custom engineered options.



GAMMA VACUUM

2915 133rd Street West
 Shakopee, MN 55379 | USA
 800.237.3603 T | 952.445.4841 P
 952.445.7615 F

gammavacuum.com | info@gammavacuum.com