

Turbo and active gauge (TAG) controller

Edwards Turbo and Active Gauge (TAG) controller is a small low cost pumping system controller, suitable for a wide range of vacuum applications and compatible with all Edwards EXT and nEXT turbopumps. The large LED display shows the pump speed or vacuum pressure and an easy to use push button interface enables ease of operation and control.

TAG controller will also run a backing pump, air vent valve an air cooler and an Edwards active gauge, making the TAG a versatile system controller.

This compact 24 V TAG controller is ideal for use on bench-tops or suitable for mobile platforms where space is limited yet functionality and reliability are essential.

NOTE: TAG controller does not contain an in-built power source. A 24 V power supply is available from Edwards or users must supply their own.



Features and benefits

Turbopump control capabilities

- Turbopump start/stop
- Display pump speed as % of full speed
- Visual performance display; acceleration, deceleration or normal running
- Control of a single vent valve when connected to the turbopump controller with choice of three vent modes
 - Vent when pumping speed drops below 50%
 - Controlled vent from full speed then hard vent at 50%
 - Fan mode, continuous power to the vent port so the system will not vent. Alternatively it may be used to power an air cooler connected directly to the pump

Gauge control and display functions

- Control of a single Active gauge: APG, AIM, ASG or WRG gauge
- Choice of pressure display: mbar, Torr, Pascal or Volts
- Zero adjustment/calibration of gauges
- Use of gauge signal to start/stop the turbopump

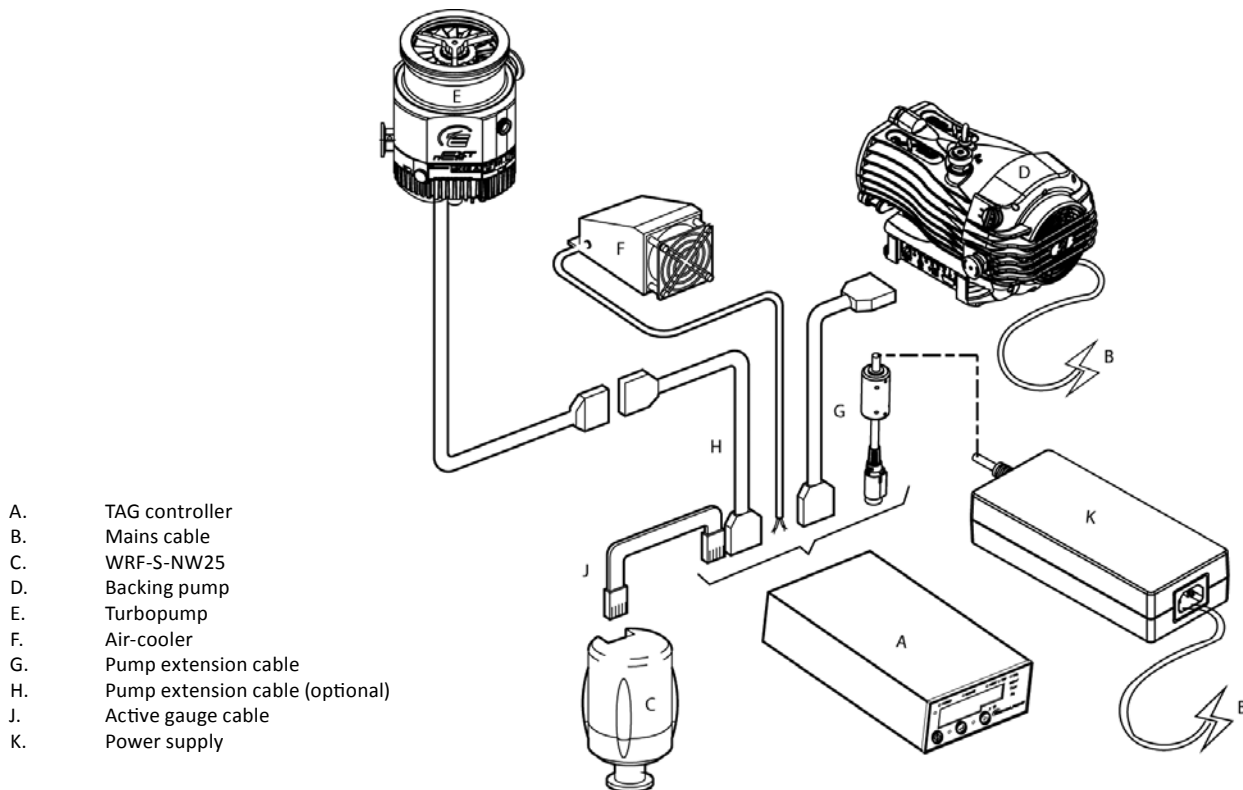
Backing pump control, plus more

- TAG has the additional capability to control a backing pump
- 24 V XDD1 may be connected directly and will share power with TAG/turbopump
- nXDS and XDS35i pumps can be controlled by the TAG logic interface
- Other mains backing pumps may need a relay (see instruction manual for details)
- A single 24 V isolation valve can be controlled and powered from the TAG
- For pumping large chambers the TAG allows delayed start of the turbopump to either a time or pressure set point

Technical data and ordering information

Max input power	240 W
Mains input	
Electrical supply	24 V d.c.
Power consumption (max)	5 W
Auxiliary terminals	
Air cooling fan	24 V d.c. 3.6 W max
Turbopump	24 V d.c. 160 W max
Dimensions	96 x 48 x 165 mm
Mass	0.3 kg
Operating temp	0°C to 40°C
Storage temp	-30°C to 70°C
Max ambient operating humidity	90% RH non-condensing at 40°C
Max operating altitude	2000 m
Enclosure rating	IP20 (IP40 when panel mounted)

Description	Material Number
TAG controller	D39592000
External power supply	D39592800
Mains lead — UK plug	D40013025
Mains lead — European plug	D40013030
Mains lead — US plug	D40013120



- A. TAG controller
- B. Mains cable
- C. WRF-S-NW25
- D. Backing pump
- E. Turbopump
- F. Air-cooler
- G. Pump extension cable
- H. Pump extension cable (optional)
- J. Active gauge cable
- K. Power supply

Global contacts

EUROPE

UK Crawley +44 1293 528844
 UK (local rate) 08459 212223
 Belgium Brussels +32 2 300 0730
 France Paris +33 1 4121 1256
 Germany Munich 0800 000 1456
 Italy Milan +39 02 48 4471

USA

Niagara (toll free) +1 800 848 9800
 BRAZIL
 Sao Paulo +55 11 3952 5000
 ISRAEL
 Qiryat-Gat +972 8 681 0633

ASIA PACIFIC

China (toll free) +86 400 111 9618
 India, Pune +91 20 4075 2222
 Japan, Yachiyo +81 47 458 8831
 Korea, Bundang +82 31 716 7070
 Singapore +65 6546 8408
 Taiwan R.O.C. Jhunan Town +886 3758 1000